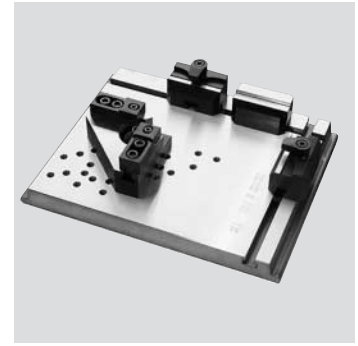
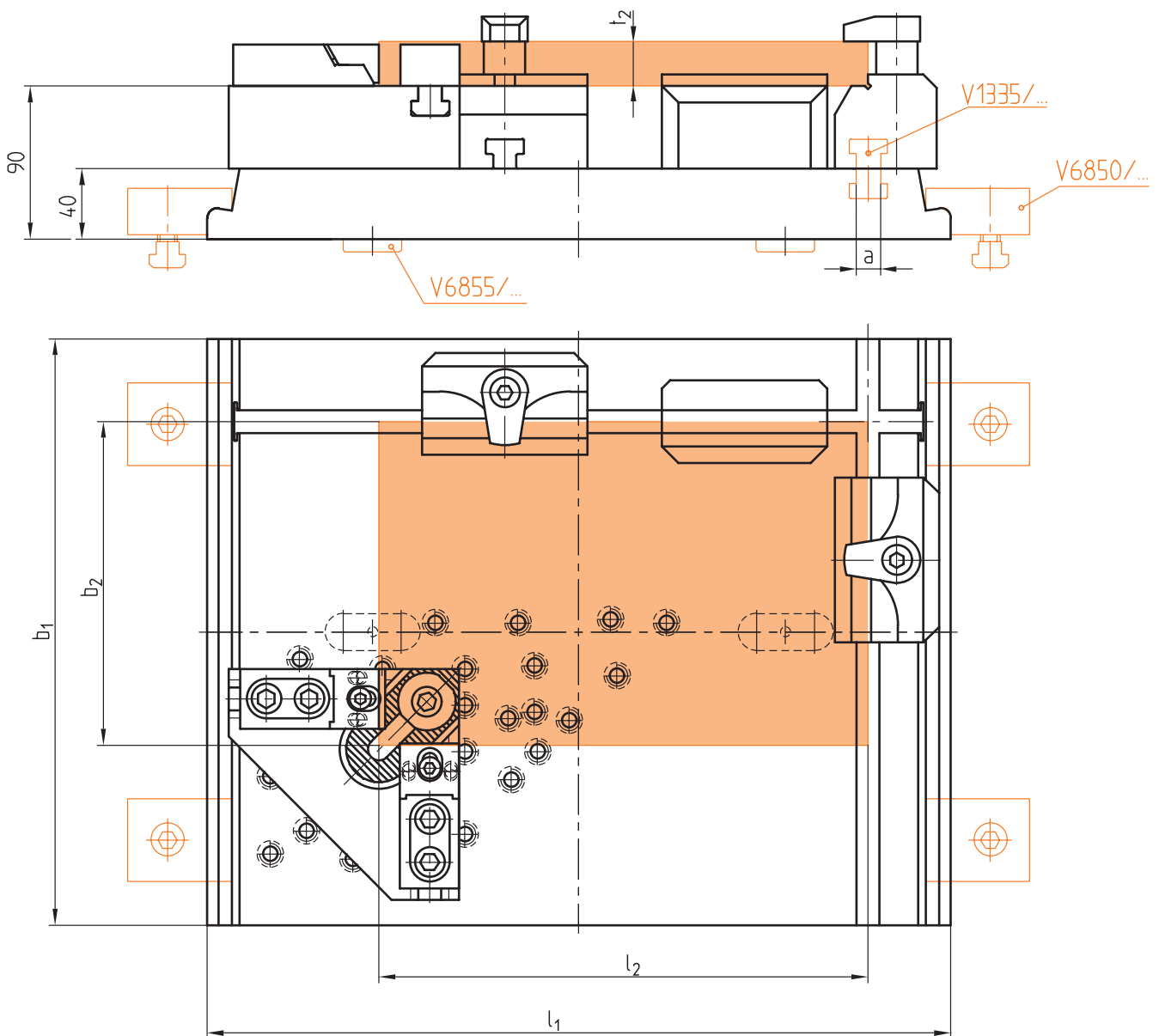


V6800/...



► Info



V6820/...	V1335/14x38	t <sub>2</sub>	b <sub>2</sub>	l <sub>2</sub>	$\begin{matrix} +a \\ - \end{matrix}$	b <sub>1</sub>	l <sub>1</sub>	Nr./No.
V6820/14	6	17-56	156-246	156-346	14	355	450	V6800/14/355x450

This is trial version  
www.adultpdf.com